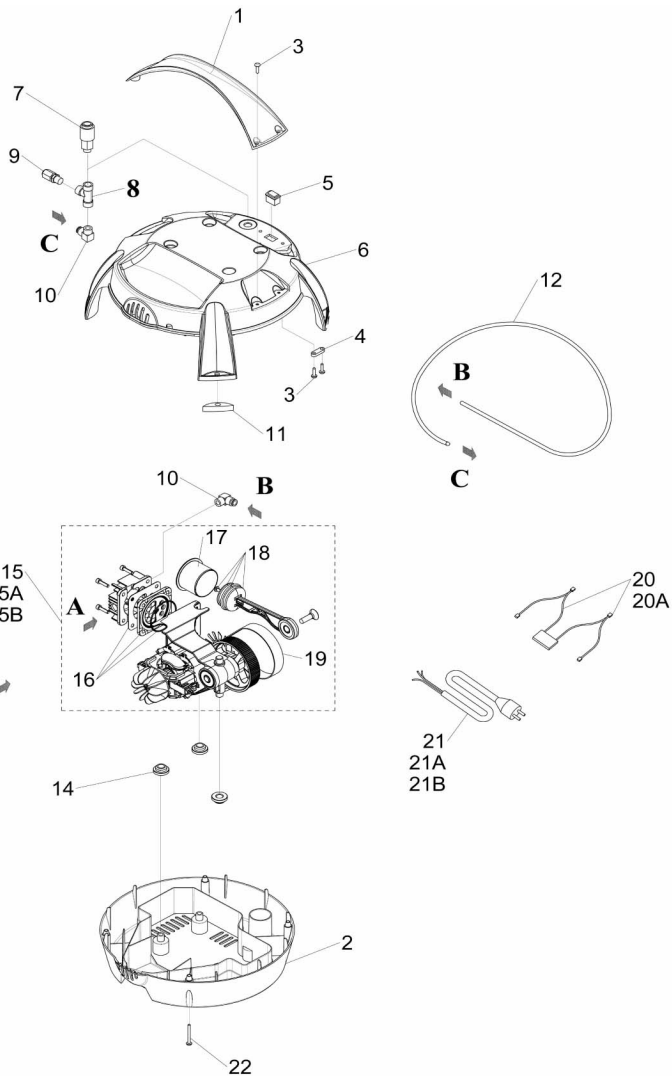




**CPS 2**



SINGLE PHASE V.230-50/60Hz  
V.120-50/60Hz  
V.100-50/60Hz

MONOFASE V.230-50/60Hz  
V.120-50/60Hz  
V.100-50/60Hz

## Black & Decker CPS2 Air Compressor Spare Parts List March 2007

Code	Description	Quantity	Item No	Price
7151960000	Black handle	1	1	1,08
7151950000	Down black housing	1	2	5,30
7012110000	Screw	6	3	0,30
7311450000	Stretch eliminator	1	4	0,26
7300370000	Main switch	1	5	2,00
7152050000	Top orange housing	1	6	6,65
7130730000	Quick coupler	1	7	3,21
6002580014	Joint	1	8	2,94
7196350000	Safety valve bar 8	1	9	2,25
7083120000	Joint	2	10	1,45
7360390000	Rubber foot	4	11	0,14
7239671000	Rilsan hose	1	12	10,85
7230030000	Rilsan hose	1	13	2,50
7364550000	Shock absorber	6	14	0,26
7422250000	Pump V.230/50-60hz	1	15	73,40
7422250010	Valve plate & Set of gaskets	1	16	11,03
7422250020	Cylinder	1	17	3,78
7422250040	Con rod/Piston Kit	1	18	10,71
7422250030	Belt	1	19	6,30
7310670000	Cables	1	20	1,20
7326870000	Cables	2	20A	0,43
7326880000	Supply cable 230 V.	1	21	upon request
7012960000	Screw	4	22	0,30