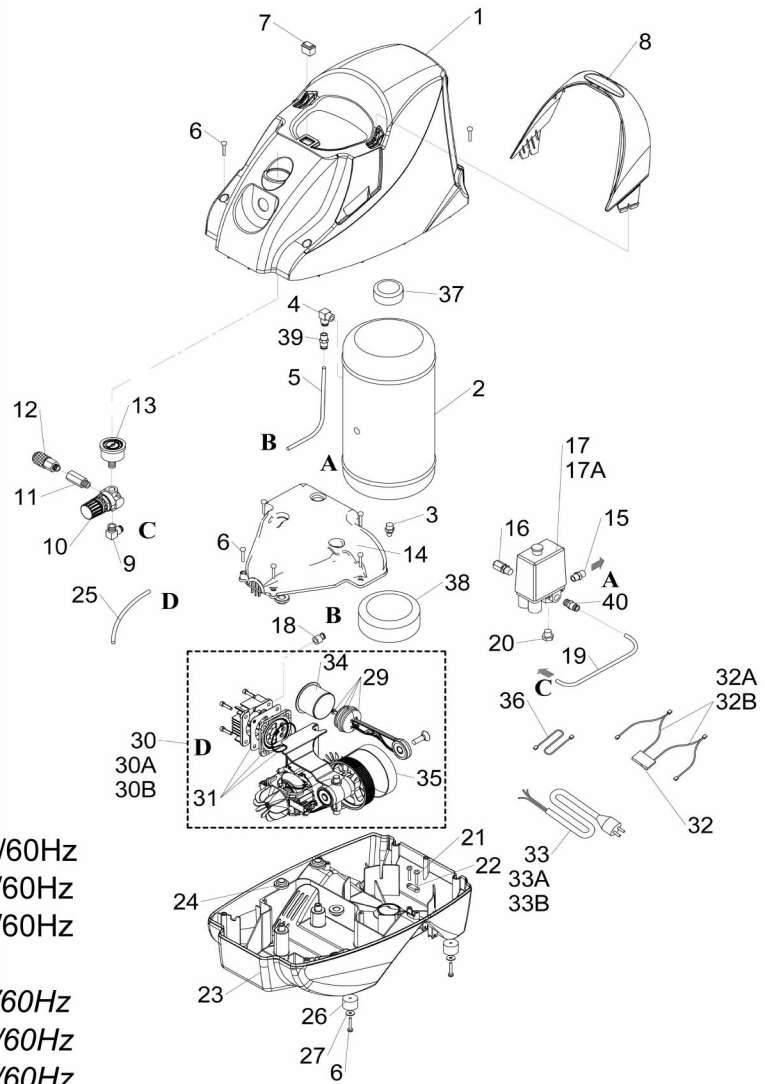




CP 6



SINGLE PHASE V.230-50/60Hz
V.120-50/60Hz
V.100-50/60Hz

MONOFASE V.230-50/60Hz
V.120-50/60Hz
V.100-50/60Hz

Black & Decker CP6 Air Compressor Spare Parts List March 2007

Code	Description	Quantity	Callout	Price
910900000	Orange housing	1	1	11,45
5159480008	6 lt. tank	1	2	30,10
7130090000	Discharge tap	1	3	1,20
7190290000	Non return valve	1	4	3,41
7239671000	Rilsan hose	1	5	10,85
7012890000	Screw	12	6	0,30
7300310000	Main switch	1	7	1,68
9109010000	Handle	1	8	1,40
7084240000	Angle Joint	1	9	2,07
7100760000	Pressure reducer	1	10	3,58
7088110000	Joint	1	11	2,26
7130570000	Quick coupler	1	12	3,62
7110240000	Pressure gauge	1	13	5,49
7151780000	Black cover	1	14	2,09
7081090000	Joint	1	15	0,66
7192020000	Safety valve bar 8,5	1	16	5,51
7250740000	Pressure switch V230	1	17	11,81
7083130000	Joint	1	18	1,00
7230010000	Rilsan hose	1	19	0,91
7090090000	Tap	1	20	0,46
7012110000	Screw	2	21	0,30
7311450000	Stretch eliminator	1	22	0,26
7151810000	Down black housing	1	23	8,10
7364550000	Shock absorber	6	24	0,26
7230030000	Rilsan hose	1	25	2,50
7360370000	Rubber foot	4	26	0,30
7030450000	Washer	4	27	0,30
7422250040	Con rod/Piston Kit	1	29	10,71
7422250000	Pump V230/50-60hz	1	30	73,40
7422250010	Valve plate & Set of gaskets	1	31	11,03
7310680000	Capacitor mf.0,22	1	32	upon request
7327140000	Cable 38 cm	1	32A	0,40
7327150000	Cable 50 cm	1	32B	0,39
7327160000	Power Supply cable V230	1	33	2,94
7422250020	Cylinder	1	34	3,78
7422250030	Belt	1	35	6,30
7326860000	Motor/switch cable	1	36	0,73
7213790000	Upper tank spacer	1	37	0,79
7213800000	Lower tank spacer	1	38	1,84
7083160000	Joint	1	39	2,05
7084220000	Angle joint	1	40	1,00