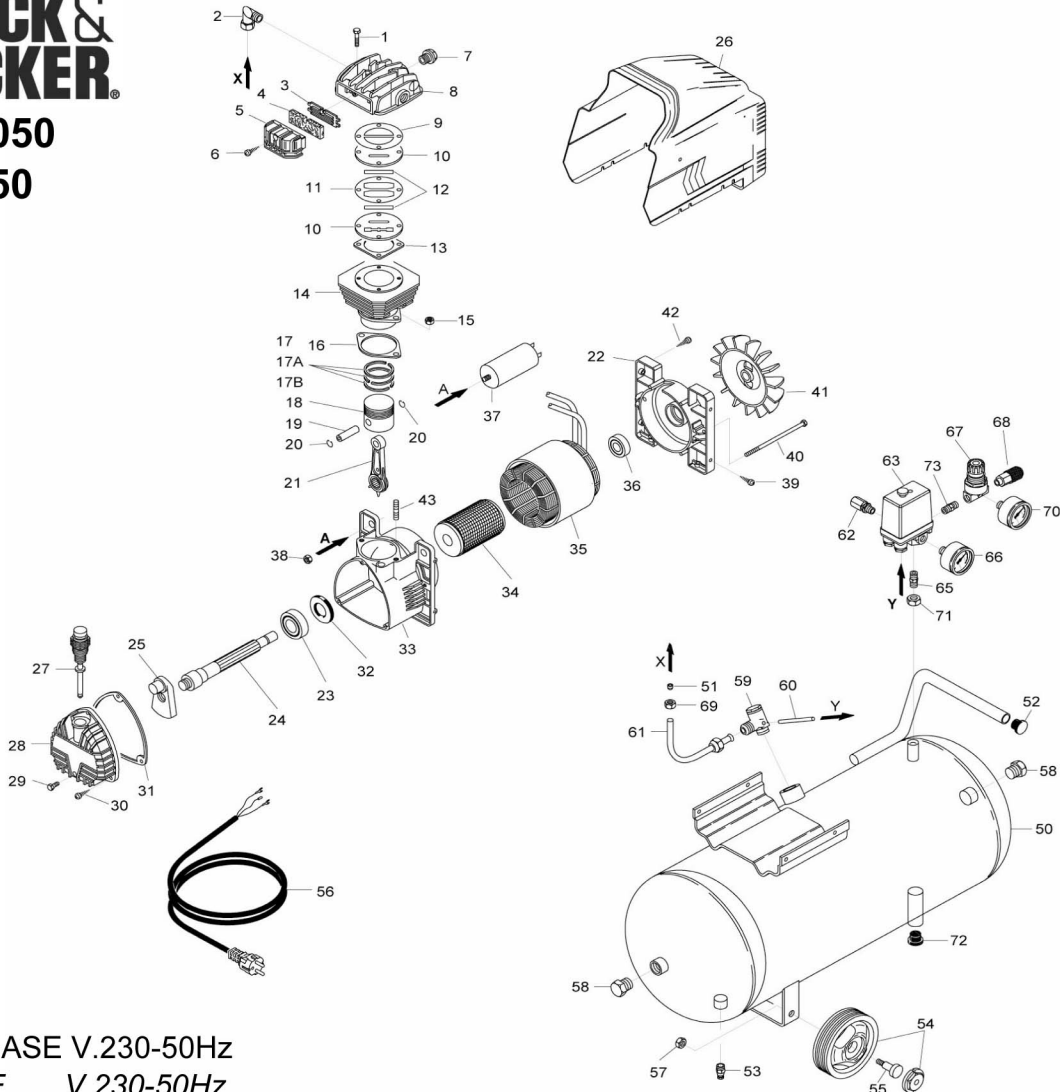




CP 5050

CP 250



SINGLE PHASE V.230-50Hz

MONOPHASE V.230-50Hz

7020240000	Nut	1	38	0,30
7012290000	Screw	4	39	0,30
9100010210	Filtering element	2	4	0,30
9100010060	Tension rod	2	40	0,25
9100010200	Fan	1	41	1,80
7013060000	Screw	1	42	0,30
9100010050	Stud bolt	2	43	0,25
9100010220	Intake filter	1	5	0,66
5150840008	Tank	1	50	143,80
7041070000	Olive	1	51	0,34
7360070000	Rubber	1	52	0,43
7130160000	Discharge tap	1	53	0,73
7260160000	Wheel	2	54	1,88
7018290000	Pivot	2	55	0,91
7329070000	Power Supply cable	1	56	2,60
7020080000	Nut	2	57	0,30
7090030000	Plug	2	58	1,04
7190180000	Non return valve	1	59	5,40
7012100000	Screw	1	6	0,30
7230010000	Rilsan hose	1	60	0,91
7231700000	Infeed hose	1	61	4,00
7192430000	Safety valve	1	62	2,56
7250740000	Pressure switch	1	63	11,81
7081140000	Joint	1	65	0,99
7110300000	Pressure gauge	1	66	5,62
7100640000	Pressure reducer	1	67	7,50
7130570000	Quick coupler	1	68	3,62
7024140000	Nut	1	69	0,91
9100010190	Start valve	1	7	1,65
7110240000	Pressure gauge	1	70	5,49
7023040000	Locking nut	1	71	0,30
7360040000	Rubber	1	72	0,55
7081090000	Joint	1	73	0,66
9100010320	Head	1	8	5,03
9100010310	Gasket	1	9	0,36