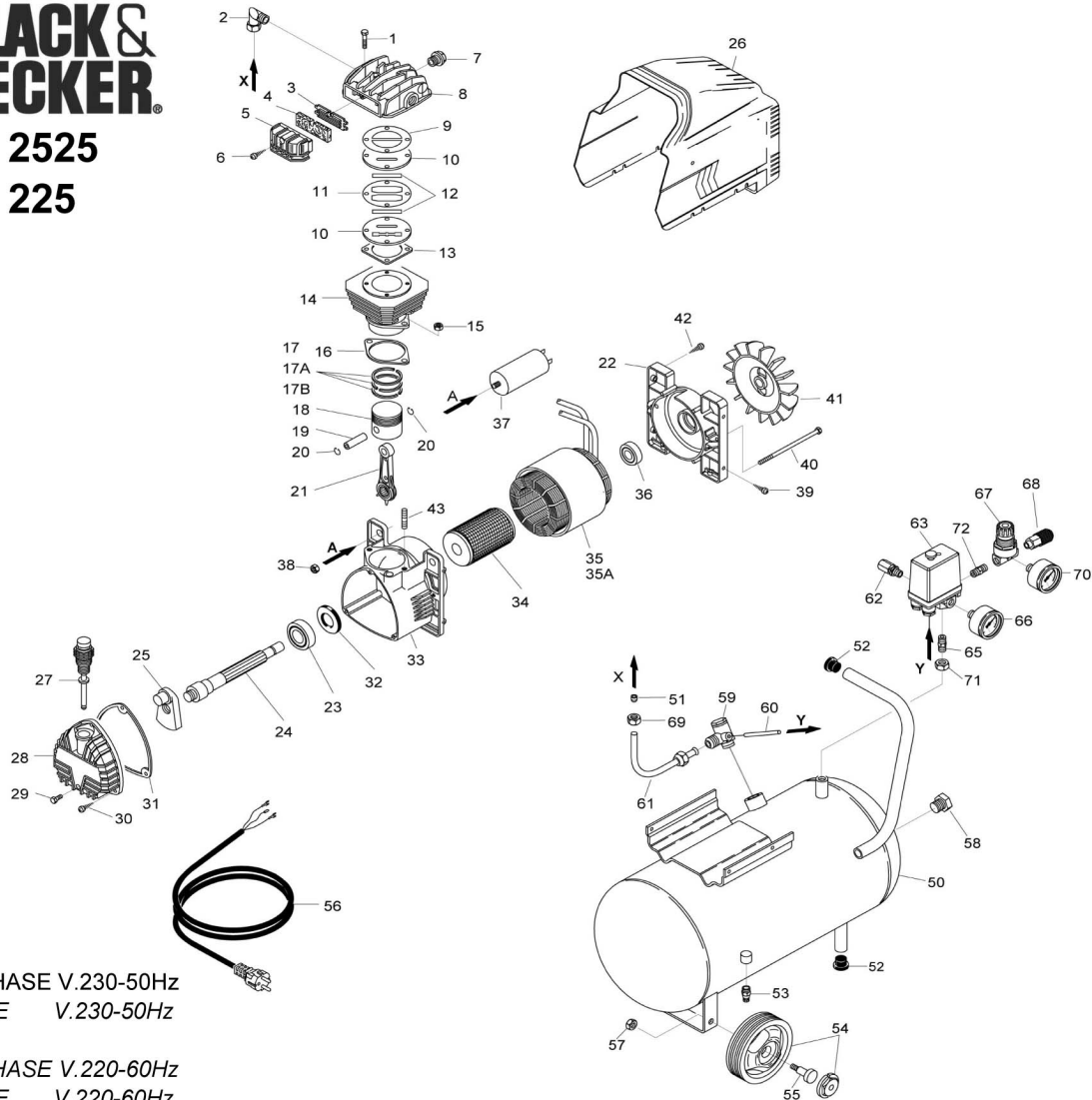




CP 2525
CP 225



SINGLE PHASE V.230-50Hz
MONOPHASE V.230-50Hz

SINGLE PHASE V.220-60Hz
MONOPHASE V.220-60Hz

7012100000	Screw	3	30	0,30
9100010100	Gasket	1	31	0,90
9100010430	Oil seal	1	32	0,90
9100010020	Cranckcase	1	33	14,6
9100010040	Rotor	1	34	18,1
9100010010	Motor V230-50/1	1	35	49,1
7060010000	Bearing	1	36	3,29
7310590000	Capacitor 25 µF	1	37	5,62
7020240000	Nut	1	38	0,30
7012290000	Screw	4	39	0,30
9100010060	Tension rod	2	40	0,25
9100010200	Fan	1	41	1,80
7013060000	Screw	1	42	0,30
9100010050	Stud bolt	2	43	0,25
5153950008	Tank	1	50	81,15
7041070000	Olive	1	51	0,34
7360020000	Rubber	2	52	0,43
7130160000	Discharge tap	1	53	0,73
7260160000	Wheel	2	54	1,88
7018290000	Pivot	2	55	0,91
7329070000	Infeed cable	1	56	2,60
7020080000	Nut	2	57	0,30
7090030000	Plug	1	58	1,04
7190180000	Non return valve	1	59	5,40
7230010000	Rilsan hose	1	60	0,91
7230430000	Infeed hose	1	61	3,80
7192020000	Safety valve	1	62	5,51
7250740000	Pressure switch	1	63	11,81
7081140000	Joint	1	65	0,99
7110300000	Pressure gauge	1	66	5,62
7100640000	Pressure reducer	1	67	7,50
7130570000	Quick coupler	1	68	3,62
7024140000	Nut	1	69	0,91
7110240000	Pressure gauge	1	70	5,49
7023040000	Locking nut	1	71	0,30
7081090000	Joint	1	72	0,66